



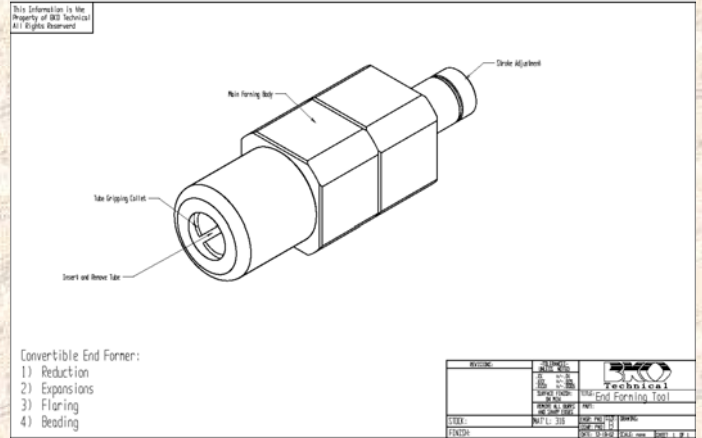
BKO Technical

HIGH PRESSURE SPECIALISTS

Tube End Forming

CONVERTIBLE TUBE END FORMER

- Expansions
- Reductions
- Flares
- Beads



CONVERTIBLE END FORMING HEAD

The compact self contained design of the forming head allows for easy operation. It is made from heat treated stainless steel for use with a 3,500 PSI hydraulic pressure. The head has tapped holes to allow it to mount remotely in a convenient location within the work cell. Converting the forming head is quick and easy and allows the end former great versatility. The form tooling is made from tool steel and hard coated for extended forming life.



HYDRAULIC POWER PACK

The BKO convertible end former is designed with hydraulic actuated gripping collets along with hydraulic actuated form tooling. A 3,500 PSI electric powered hydraulic power unit is the hydraulic source and controlled by a PLC. A foot switch is used to initiate the end forming cycle. The end of cycle is sensed by an adjustable digital pressure switch eliminating operator error. The tool's stroke is easily adjustable to achieve the exact end form that is required.

To contact us:

Phone: 651-452-2077

Fax: 651-452-5336

Email: sales@bkotechnical.com

www.bkotechnical.com

BKO Technical
5561 156th Lane NW
Ramsey MN 55303

